



122200

Manufacturer of Dimensions™ Inverters
4467 White Bear Parkway
St. Paul, MN 55110
Phone: 651-653-7000 Fax: 651-653-7600
E-mail: inverterinfo@sensata.com
Web: www.dimensions.sensata.com

OWNERS MANUAL

JANUARY 2007

ISO 9001:2008 Certified Company

Dimensions DC to AC Power Inverters

OWNERS MANUAL for Model:

48IX10NV

**OWNERS MANUAL
FOR Dimensions
INVERTERS**

Model 48IX10NV

Table of Contents

	Page
1. General	2
2. Description	2
3. Installation	3
4. Start Up/Operation.	4
5. Troubleshooting.	4
6. Installation Figure 1	5
7. Limited Warranty	6

not accumulate near the battery by keeping the area well ventilated. A spark may result when connecting the battery wiring due to an initial charging of the internal input capacitor.

CAUTION: Working in the vicinity of lead-acid batteries is dangerous. Batteries generate explosive gases during operation. There is a risk of acid exposure. There is also a risk of high current discharge from shorting the battery that can cause fire and explosion.

CAUTION: Damage to the inverter will occur if an external AC power source is applied to the inverter's AC receptacle cord.

CAUTION: Be sure the inverter's circuit breaker or fuse are turned "OFF" during installation.

1. GENERAL

1.01 Dimensions inverters have been designed and manufactured for many user applications and long life. They utilize engineered construction methods and high technology electronic parts and circuitry.

1.02 Inverters produce hazardous voltages, The following instructions should be thoroughly read and understood before installation.

CAUTION: To avoid risk of harm or fire the unit must be properly installed. There are no user serviceable parts inside, do not remove the cover.

CAUTION: The inverter should not be mounted in a location that may be exposed to rain or spray.

CAUTION: The inverter should not be installed in a zero clearance enclosure.

CAUTION: Damage to the inverter will occur if correct polarity is not observed when installing the DC input cables. This damage is **NOT** covered by warranty.

CAUTION: Damage to the inverter will occur if an external AC power source is applied to the inverter's AC output or its hardwire output. This damage is **NOT** covered by warranty.

CAUTION: The inverter contains a circuit breaker and a capacitor that may produce a spark. Do not mount in a confined battery or gas compartment.

CAUTION: Make sure that hydrogen gas does

2. DESCRIPTION

2.01 The inverter converts 48VDC depending on inverter model to a 120VAC, 60 HZ, having a pure sine wave form signal output.

2.02 The inverter has a controlled frequency at 60 HZ \pm 0.05%

2.03 The inverter has internal protection against output short circuit, output overload and high temperature conditions.

2.04 The inverter is designed to operate any 120 VAC, 60 HZ, single phase appliance, equipment or tool within its power ratings.

2.05 The inverter has a ventless cover to protect the inside electronics from the elements. Designed to be used on scissor lift applications.

2.06 The inverter is GCFI protected. The 120VAC, 60Hz output is provided at the GFCI receptacle on the inverter.

2.07 The inverter does not have a "On"/"Off" switch. The unit must be controlled by a remote switch, a violet wire is attached to the unit for this purpose.

Inverter Rating				
Inverter Model	Input		Output	
	(VDC)	(ADC)	(VAC)	(Watts)
48IX10NV	50.4	Up to 25	120	1000

3. INSTALLATION

NOTE: All wiring must follow the National Electric Code, Provincial, or other codes in effect at the time of installation, regardless of suggestions in this manual. All wires should be copper conductors.

3.01 Mounting

3.01.1 Locate a suitable, secure flat mounting surface as close to the battery as possible without being in the same air tight compartment. The maximum recommended distance between the mounting location and the battery is 20 feet. See chart.

3.01.2 The location should have adequate ventilation and clearance to maintain room temperature while the unit is operating. At least 1/2 inch of clearance is required on all sides.

3.01.3 Secure the unit with #8 or larger screws or bolts in the mounting slots on the flanges of the chassis.

3.02 Chassis Bonding Lug - FIG. 1

3.02.1 Connect a #8 gauge or greater copper wire between the bonding lug on the inverter and the earth grounding system or the vehicle chassis.

3.03 Battery Wiring - FIG. 1

3.03.1 Use stranded copper wire between the battery and inverter as indicated. A fuse must be installed between the battery and the inverter. U.L. requires that the fuse be within 18 inches of the battery.

DC Input Wire Lengths (maximum) and Fusing Guide

Model	Distance(feet)	
	1 to 20	Fuse
48IX10NV	8 Ga	100A

3.04.2 NOTE: Using smaller input cable or longer length will greatly degrade the inverter peak performance.

IMPORTANT NOTE FOR VEHICLE

INSTALLATION: Do not use the vehicle chassis as the negative return in place of a return cable. Use the same size wire as the positive cable and run directly to the battery.

3.04.3 Install the cables at the battery, inverter and then fuse holder. Make sure that good, clean connections are made. Use care not to touch the positive and negative wires together. This will result in a violent spark and could result in exploding batteries and fire.

3.04.4 The battery input terminals are attached to the unit : Red (+) and Black (-) wire, having a 5/16" ring terminals. A spark may result when connecting the battery wire, due to an initial charging of the internal input capacitor.

3.05 Remote Switch for Inverter Operation - Fig. 1

3.05.1 All material used for the remote switch should be U.L. listed and installed per low voltage, Class 2, wiring code. The On/Off switch and in-line fuse to be purchased locally at your favorite electrical supply store.

3.05.2 A 3A remote switch must be connected to the violet wire marked "Remote On/Off" coming out at front of the inverter. Connect the violet wire to the load side of the remote switch. A 3A in-line fuse must be connected to the line side of the switch. The cable clamp strain relief should be used to secure the field wires.

3.05.3 The switch should be mounted at a convenient location in a listed outlet box with approved strain relief. The in-line fuse to be mounted on appropriate fuse holder.

3.05.4 NOTE: A remote switch, must be installed to operate the inverter. You may use several switches or relays in parallel in lieu of one remote switch.

3.06 120 VAC Output

3.06.1 The 120 VAC output is provided at the GFCI outlets on the inverter.

3.06.2 The output is also presented behind the wiring compartment panel for direct hardwire wire leads.

3.06.3 The hardwire AC output is not GFCI

protected. GFCI outlets should be installed at all appropriate locations per NEC 551. The GFCI outlet should be Leviton, Model 6599 or UL listed equivalent.

3.06.4 The remote AC outlets should be mounted at a convenient location in a listed outlet box with approved strain relief.

4. START UP / OPERATION

4.01 To operate the inverter turn the remote switch to "On". Make sure that the output breaker is reset.

4.02 Turn the switch to "Off" when the inverter is not in use.

5. TROUBLESHOOTING

5.01 Dimensions offers free phone consultation concerning installation or troubleshooting. Call the Customer Service Department at:

1-800-553-6418 or 1-651-653-7000

fax:651-653-7600

e-mail: inverterinfo@sensata.com

5.02 If the inverter fails to operate, use the following troubleshooting procedure.

5.02.1 Connect a 100 watt light bulb to the inverter output.

5.02.2 Make sure the inverter is turned "On", the output circuit breaker is reset and that the voltage is at least 48 VDC at the DC input terminals. If not, check DC wiring connections and the line fuse.

5.02.3 Check the connection to the remote switch, +48VDC **must** be present at the violet wire for the unit to operate. If not, check any in-line fuses in the +48 VDC remote switch circuit.

5.02.4 Observe the fault indicating lights on the front of the inverter.

a) The Low input voltage light indicates a low battery condition. Switch the inverter "Off" for 5 seconds, then "On" again. The light coming on again indicates a fault in the battery wiring, battery capacity and voltage or the fuse.

b) The Overload light indicates an output wiring short circuit or a load that is too large for the

power rating of the inverter. Switch the inverter "Off", remove the short circuit or excessive load from the output, then switch the inverter back "On".

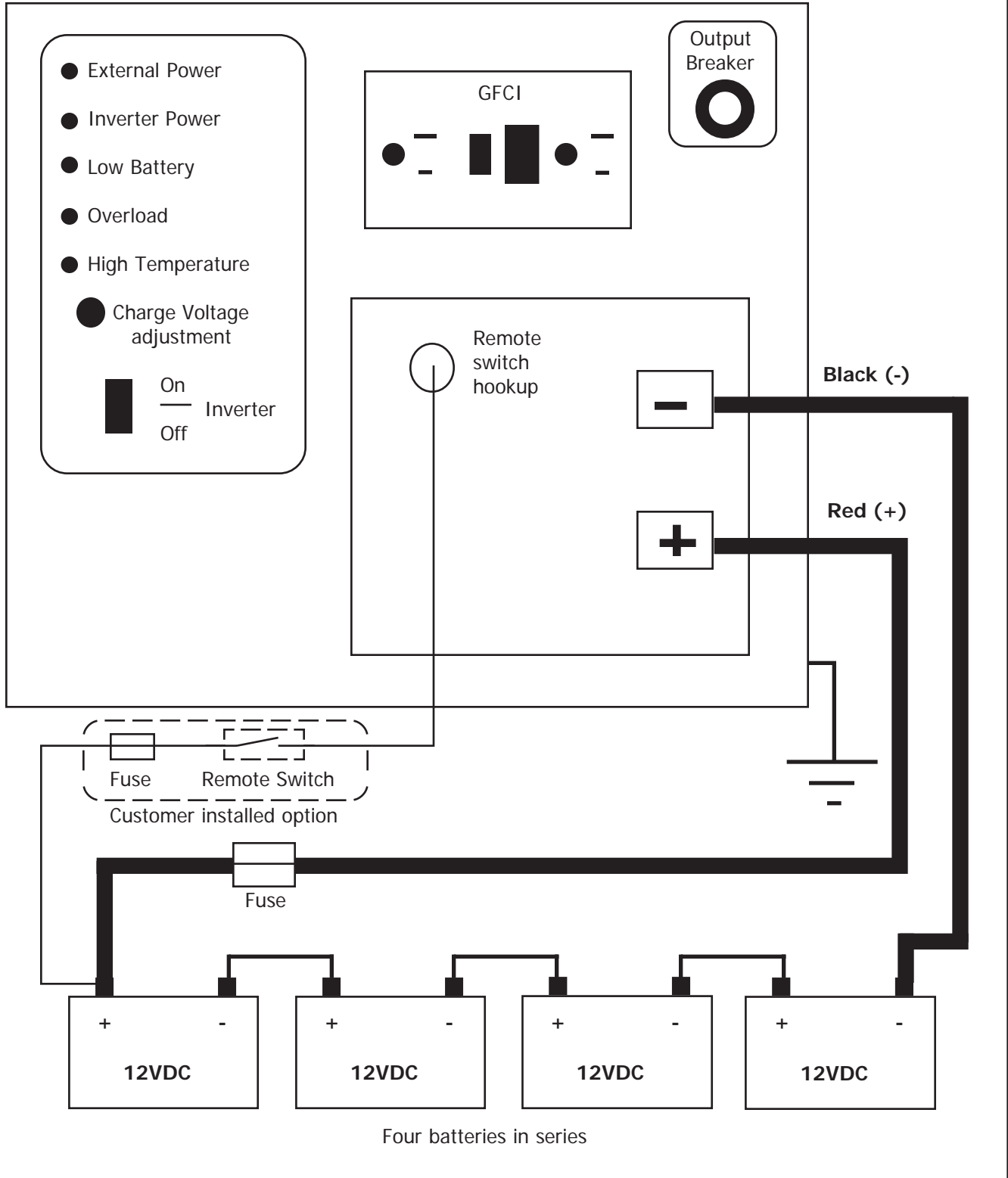
c) The High temperature light indicates the inverter has overheated. The unit will automatically turn back on when it has cooled to 40°C.

5.03 If the above steps are completed and the inverters still will not operate satisfactorily, call Sensata Technologies for a return authorization number.

FRONT VIEW

WIRING DIAGRAM FOR MODEL 48IX10NV

Fig #1



Limited Warranty Terms & Conditions

SHIPPING TERMS

F.O.B. St. Paul Minnesota. Freight prepaid and billed, subject to prior credit approval.

MINIMUM ORDER

\$50.00 Net Price

LOSS OR DAMAGE

Loss or damage in transit are the responsibility of the carrier. Any claim should be filed with the delivering transport company. Invoice, Bill of Lading and Delivery receipt with damage noted therein must accompany any claims for freight damage. Claims for shortage and lost shipments must be made in writing to Sensata Technologies, St. Paul, MN within 10 days of date of shipment. Claims not reported within this time frame will not be honored.

PRICES

Prices are subject to change without notice. All orders are subject to acceptance at the factory. We reserve the right to invoice prices in effect at time of shipment.

TERMS

Net 30 days with approved credit, credit card or C.O.D.

RETURN GOODS POLICY

o No returned materials will be accepted without an accompanying Returned Materials Authorization Number (RMA) from the factory.

o Credit will be issued for returned goods to the original purchaser within 60 days of purchase, provided the inverter is returned to Sensata unused and not mounted. The amount of credit will be issued at Sensata's discretion based on the condition of the product.

o Customer must be in good standing with Sensata.

o Inverters that are discontinued, high-voltage (over 24vdc), special-order or used are excluded and will not be eligible for credit. Non-inverter items such as cable assemblies, fuses and fuse holders, will not be eligible for credit

o Support components supplied by Sensata vendors will be covered under that manufacturer's credit return policy.

o Customer pays return freight.

PLEASE SHIP AUTHORIZED RETURNS TO: Sensata Technologies / 4467 White Bear Parkway / St. Paul, MN 55110
Return Freight Prepaid

LIMITED WARRANTY

Sensata Technologies extends the following warranty to the original purchaser of those goods subject to the qualifications indicated.

Sensata warrants to the original purchaser for use that the goods or any component thereof manufactured by Sensata will be free from defects in workmanship for a period of two (2) years from the date of purchase, provided such goods are installed, maintained and used in accordance with Sensata and the original manufacturer's written instructions.

Components not manufactured by Sensata, but used within the assembly provided by Sensata, are subject to the warranty period as specified by the individual manufacturer of said component, provided such goods are installed, maintained and used in accordance with Sensata and the manufacturer's written instructions.

Sensata's sole liability and the Purchaser's sole remedy for a failure of goods under this limited warranty and for any and all claims arising out of the purchase and use of the goods, shall be limited to the repair or replacement of the goods that do not conform to this warranty.

To obtain repair or replacement service under the limited warranty, the purchaser must contact the factory for a Return Material Authorization (RMA). Once obtained, send the Return Material Authorization Number along with the defective part or goods to: Sensata Technologies, 4467 White Bear Parkway, St. Paul, MN 55110, freight prepaid.

THERE ARE NO EXPRESS WARRANTIES COVERING THESE GOODS OTHER THAN AS SET FORTH ABOVE. THE IMPLIED WARRANTIES OF MERCHANTABILITY AND FITNESS FOR A PARTICULAR PURPOSE ARE LIMITED IN DURATION TO TWO YEAR FROM DATE OF PURCHASE.

SENSATA ASSUMES NO LIABILITY IN CONNECTION WITH THE INSTALLATION OR USE OF THE PRODUCT, EXCEPT AS STATED IN THIS LIMITED WARRANTY. SENSATA WILL IN NO EVENT BE LIABLE FOR INCIDENTAL OR CONSEQUENTIAL DAMAGES.

WARNING: LIMITATIONS ON USE

Dimensions products are not intended for use in connection with Life Support Systems and for Avionic use. Sensata makes no warranty or representation in connection with their products for such uses.